



# JBL CRISTALPROFI e1502 greenline

External filter for aquariums from 160-600 litres

Suitable for:



- External filter for clean and healthy aquarium water: closed water circulation system for aquariums with 160-600 litres (100-150 cm)
- Fully equipped and ready to connect: built-in quick-start priming button, filter start without manual priming. Simple assembly
- Extremely smooth running at 1400l/h pump performance. Patented pre-filter system with 100% more surface than in model 1501. High/biological filter perform. with a volume of 12l, water stop, 360° rot. hose connections, easily exchangeable filter media
- TÜV tested, safe and energy-efficient: lower power consumption than comparable previous models – consistent performance
- Contents: ext. filter unit f. aquariums, incl. hoses & pipes 16/22mm, intake strainer, elbow, suction cups, filter media (bio-filter balls & bio-filter foam). Dimens. (LxWxH): 20x23x48cm. Guarantee: 2 years (+2 years upon registration of the product)

## You may also be interested in

You can find a complete overview here: <https://www.jbl.de/qr/60283>



**JBL CRISTALPROFI i100 greenline**  
 Energy-efficient internal filter for aquariums



**JBL CRISTALPROFI i200 greenline**  
 Energy-efficient internal filter for aquariums





# JBL CRISTALPROFI e1502 greenline

## Accessories



### JBL FixSet

Suction pads and spacers for external filters



### JBL Aquarium Tubing GREY

Pre-cut grey hose for aquariums & ponds



### JBL Aquarium tubing GREY on reel

Grey-transparent hose wound on a reel



### JBL CombiBloc CristalProfi e

Pre-filter pads and filter foam for CristalProfi e



### JBL CRISTALPROFI UNIBLOC e

Bio-filter foam insert for CristalProfi e



### JBL CRISTALPROFI CLEARMEC e

Nitrite, nitrate, phosphate remover for CristalProfi e



### JBL InSet

Suction pipe complete set for external filters



### JBL OutSet wide

Outlet pipe with wide jet pipe for external filters



### JBL OutSet spray

Water outlet set with 2-part spray bar



### JBL Elbow piece

Anti-kink protection for water hoses



### JBL AntiKink

Anti-kink protection for hoses



### JBL CristalProfi Pulling Aid Impell. Bearing&Brush

Pulling aid and cleaning brush for impeller bearings





# JBL CRISTALPROFI e1502 greenline

## Accessories



**JBL TopClean II**  
Surface skimmer



**JBL FilterBag wide**  
Container bag for coarse filter material



**JBL CRISTALPROFI COMBIBLOC II**  
Set with filter sponges for filter CristalProfi e (02)



**JBL CRISTALPROFI SYMECPAD e**  
6 filter fleece f. JBL CristalProfi e external filters



**JBL CRISTALPROFI COMBIFILTER Basket II**  
filter basket replace. kit f. CristalProfi ext. filter



**JBL SILICONE SPRAY**  
Care spray for technical aquarium/garden pond items



**JBL SilicatEx Rapid**  
Prevents diatoms by removing silicate



**JBL Carbomec ultra**  
Highly activated pelletized carbon



**JBL Symec Filter floss**  
Filter wool to remove all types of cloudiness



**JBL Symec XL**  
Coarse filter wool to remove all types of water cloudiness



**JBL Symec VL**  
Filter wool fleece to remove water cloudiness



**JBL Fine Filter Foam**  
Fine foam for filters to combat all kinds of water cloudiness







# JBL CRISTALPROFI e1502 greenline

## Accessories



**JBL Coarse Filter Foam**  
 Coarse foam for filters to combat all kinds of water cloudiness



**JBL Sintomec**  
 Sintered bio-glass rings for breakdown of pollutants



**JBL Micromec**  
 Sintered bio-glass balls for breaking down pollutants



**JBL Cermec**  
 Ceramic filter tubes for aquarium filters



**JBL Carbomec activ**  
 High performance activated carbon for freshwater aquariums



**JBL Symec micro**  
 Microfibre fleece against water cloudiness



**JBL Tormec activ**  
 Active peat pellets for freshwater aquariums



**JBL ClearMec plus**  
 Nitrite, nitrate and phosphate remover



**JBL NitratEX**  
 Filter material for the rapid removal of nitrate (NO<sub>3</sub>)



**JBL PhosEX ultra**  
 Filter material for the removal of phosphate



**JBL FilterBag fine**  
 Container bag for aquarium filter material



**JBL Cleany**  
 Double-ended hose brush for hoses from 9-30 mm







# JBL CRISTALPROFI e1502 greenline



## Accessories



### JBL Aquarium tubing GREEN on reel

Green-transparent hose  
wound on a plastic reel



### JBL Aquarium Tubing GREEN

Pre-cut green hose for  
aquariums & ponds



# JBL CRISTALPROFI e1502 greenline

## Spare parts



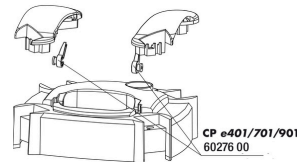
60184

JBL CP e start button + union nut



JBL CP e hose connection block

WHITE EDITION



Stop cock set for JBL CP e4/7/9/15/1901/2



JBL CP e clip for casing



6348810

JBL adapter UK for all flat-pin plugs

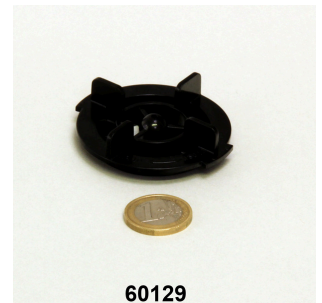


JBL CP e4/7/9/15/1900/1/2 handle screws



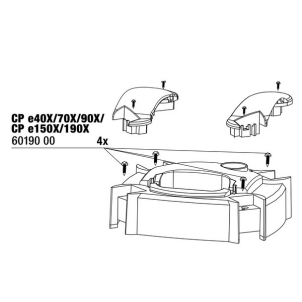
60131

JBL CP e impeller cover seal



60129

JBL CP e impeller cover



JBL CP e4/7/9/15/1900/1,2 pump head screws



JBL CP e pump head greenline



60119

JBL CP e standard basket insert



60182

JBL CP e bottom panel for start button



# JBL CRISTALPROFI e1502 greenline

## Spare parts



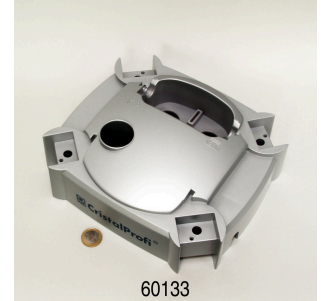
**JBL CP e union nut for hose connection**



**JBL CP e seal connection block**



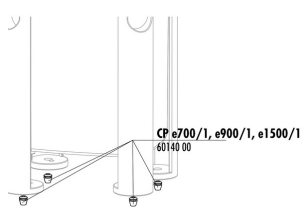
**JBL CP e pump head handle**



**JBL CP e pump head cover**



**JBL CP e pump head washer**



**JBL CP e4/7/9/1500/1/2 rubber buffer**



**JBL CP e filter canister**



**JBL CP e impeller kit**  
Complete spare impeller kit for JBL CristalProfi e







# JBL CRISTALPROFI e1502 greenline



## Product information

### Clean and healthy water

Plant and food remains and metabolic substances lead to a deterioration of the quality of the water in the aquarium. Good water quality is necessary for healthy fish and plants. This can be achieved with aquarium filters. The filters suck in the aquarium water and remove the pollution and waste materials from the water. Filters also offer an ideal habitat for bacteria which decompose harmful substances.

### Easy to install

The external filter is completely equipped and ready to connect. The built-in quick-start device makes the filter easy to install without the need for manual priming. The filter media are included in the contents.


### Easy to clean

Replacing the easy to reach pre-filter means that you only rarely need to clean the rest of the filter. The large filter volume provides a high biological filtering performance involving several filter layers. The bio-filter balls inside have different diameters. This promotes the self-cleaning effect.

### Energy efficient and safe

With only 20 W power consumption the CristalProfi e 1502 offers substantial energy savings. At an effective, sustained water circulation the device consumes 27 % less power than comparable previous models. The patented hose connection bloc with a safety valve prevents water leakage when disconnecting the filter. JBL CristalProfi is TÜV tested.

New compared to the model JBL CristalProfi e 1501 is the completely new and efficiently designed upper filter basket: It contains now a double as large one-piece filter mat as pre-filter instead of 2 small externally arranged pre-filter mats in the filter basket. This way the pre-filters don't clogg as easily, even if there is a considerable amount of dirt, and the pre-filters don't need to be cleaned as often.

| Further information   |   |
|-----------------------|---|
| FAQ                   | ✓   |
| Blog                  | ✓   |
| Press                 | ✓   |
| Laboratory/calculator | ✗   |
| Worth reading         | ✓   |
| Spare parts           | ✓   |
| Video                 | ✓   |
| GarantiePlus          | ✓   |
| Instructions          | ✓   |
| QR code               |  |





# JBL CRISTALPROFI e1502 greenline



## Product details

| Article data             |   |
|--------------------------|---|
| Product name             | JBL CRISTALPROFI e1502 greenline  |
| Art. No.                 | 6028300   |
| EAN number               | 4014162602831   |
| EAN as barcode           |  |
| Performance              | 1400 l/h  |
| Watt                     | 20 W  |
| Expiry months            | -   |
| RRP incl. VAT            | 255,22 €  |
| Base price               | -   |
| Nominal filling quantity | -   |
| Base quantity            | 1   |
| Gross weight             | 8700 g  |
| Net weight               | 7602 g  |
| Weight change            | -   |

| Disposal                |   |
|-------------------------|---|
| Product name            | JBL CRISTALPROFI e1502 greenline                        |
| Art. No.                | 6028300   |
| Green dot               | ✓   |
| Group electronic waste  | Small appliances that can be used in private households |
| Disposal weight         | 1860 g  |
| Battery type            | -   |
| Battery return          | -   |
| Battery rechargeable    | -   |
| Disposal weight battery | -   |
| Non-returnable glass    | -   |
| PPK                     | 1098 g  |
| Plastic small           | -   |
| Plastic large           | -   |
| Disposal weight metal   | 0 g   |

| Features     |                                  |
|--------------|----------------------------------|
| Product name | JBL CRISTALPROFI e1502 greenline |
| Art. No.     | 6028300                          |





| Features             |  |
|----------------------|--|
| Animal species       | Armored catfish, Arowana, Axolotl, Barbels, Bettas, Bichirs/ reedfish, Blowfish, Catfish, Cichlids (South America), Clawed frogs, Clawed shrimps, Corals, Crayfish, Crustaceans, Danions, Discus, Dwarf crayfish, Dwarf shrimps, Flowerhorn, Gill maggots, Gobies, Goldfish, Gouramis, Guppy, Juvenile fish, Killifish, Livebearers, Loaches, Mussels, Newts, Panchaxes, Rainbowfish, Snails, Spiny eels, Terrapins, Tetra, Tropical terrapins, Veiltails, blood parrot cichlids, freshwater butterflyfish, turtle |
| Animal size          | For all animal sizes   |
| Animal age group     | All aquarium fish  |
| Volume of habitat    | 200-700 L (100-150cm)  |
| Material             | plastic (material mix: ABS, SAN, POM) / metal (copper)   |
| Food type            | -  |
| Colour               | silver / black   |
| Dosage               | -  |
| Transport conditions | -  |





# JBL CRISTALPROFI e1502 greenline

| Electronic label / illuminant |                                  |
|-------------------------------|----------------------------------|
| Product name                  | JBL CRISTALPROFI e1502 greenline |
| Art. No.                      | 6028300                          |
| Ambient temperature           | -                                |
| Start time                    | -                                |
| Mercury                       | -                                |
| Tube length                   | -                                |
| Service life                  | -                                |
| Lumen                         | -                                |
| CRI value                     | -                                |
| Dimmable                      | -                                |
| Switching cycles              | -                                |
| PAR value                     | -                                |
| Energy efficiency class       | -                                |
| UV-A                          | -                                |
| UV-B                          | -                                |
| UV-C                          | -                                |
| Colour temperature            | -                                |
| Base designation              | -                                |

| Technical data                |                                  |
|-------------------------------|----------------------------------|
| Product name                  | JBL CRISTALPROFI e1502 greenline |
| Art. No.                      | 6028300                          |
| Range in litres               | 600 l                            |
| Range from - to               | 160-600l                         |
| Range in days                 | -                                |
| Range tank length             | 100-150                          |
| Output in watts               | 20 W                             |
| Output per hour               | -                                |
| Output per day                | -                                |
| Height                        | 460 mm                           |
| Length                        | 200 mm                           |
| Width                         | 235 mm                           |
| Diameter                      | -                                |
| Voltage                       | 230 V                            |
| For                           | -                                |
| T8 26mm (watt)                | -                                |
| T5 16mm (watt)                | -                                |
| Size                          | -                                |
| Content for                   | -                                |
| Filter container volume       | 12 l                             |
| Volume filter media           | 8 l                              |
| Hose connections pressure/out | 16/22mm mm                       |
| Hose connections suction/in   | 16/22mm mm                       |





| Technical data |       |
|----------------|-------|
| Delivery head  | 1.8 m |





# JBL CRISTALPROFI e1502 greenline

|                  |   |
|------------------|---|
| Food type        | - |
| Sub product type | - |
| Dosing           | - |







## Additional information for the specialist trade sector

| Article data         |                                  |
|----------------------|----------------------------------|
| Product name         | JBL CRISTALPROFI e1502 greenline |
| Art. No.             | 6028300                          |
| VAT                  | 19%                              |
| Sales unit (SU)      | 1                                |
| Volume packaging     | 45.5l                            |
| Dimensions (l/w/h)   | 240 mm/385 mm/480 mm             |
| Layer                | 9                                |
| Pallet               | 36                               |
| Category of products | 3                                |
| Customs tariff       | 84212100                         |
| Country of origin    | CN                               |
| Type of packaging    | Faltschachtel/Karton             |

| PU 1 data        |                                  |
|------------------|----------------------------------|
| Product name     | JBL CRISTALPROFI e1502 greenline |
| Art. No.         | 6028300                          |
| PU 1 material    | cardboard gr                     |
| PU 1 weight      | 410 g                            |
| PU 1 length      | 400 mm                           |
| PU 1 width/depth | 255 mm                           |
| PU 1 height      | 495 mm                           |

| PU 2 data        |                                  |
|------------------|----------------------------------|
| Product name     | JBL CRISTALPROFI e1502 greenline |
| Art. No.         | 6028300                          |
| PU 2 material    | None                             |
| PU 2 weight      | -                                |
| PU 2 length      | -                                |
| PU 2 width/depth | -                                |
| PU 2 height      | -                                |

| Trade data        |                                  |
|-------------------|----------------------------------|
| Product name      | JBL CRISTALPROFI e1502 greenline |
| Art. No.          | 6028300                          |
| Till receipt text | JBL CP e1502                     |
| Shelf placement   | -                                |